

Presence Switch

HF 180

Dali - white

EAN 4007841 032937

STEINEL[®]
PROFESSIONAL



high-frequency
sensor 180°



max. 8 m

2000w

max. 2000 W



IP20



2 - 1000 lux



30 sec - 30 min



indoor sensor



energy saving

5 JAHRE
HERSTELLER
GARANTIE

manufacturer's
warranty
steinel-professional.de/garantie



CE

Function description

Reliably detects through partition walls. HF 180 presence switch. The high-frequency sensor system quickly detects any movement regardless of temperature – even through partition walls, e.g. offices, entrance rooms or toilet facilities. 180° angle of coverage, up to 8 m reach. Intelligent technology, high-calibre design, easy 3-wire installation.

HF 180

Dali - white

EAN 4007841 032937

Technical specifications

| | | | |
|--------------------------|---|--|------------------------------------|
| Type | Presence detector | Twilight setting | 10 – 1000 lx |
| Dimensions (L x W x H) | 80 x 80 x 21 mm | Time setting | 30 s – 30 Min. |
| Mains power supply | 230 V / 50 – 60 Hz | Control output, Dali | Broadcast 2x12 electronic ballasts |
| Power supply, detail | DALI bus | Constant-lighting control | Yes |
| Sensor Technology | High frequency | Basic light level function | Yes |
| Application, place | Indoors | Basic light level function in per cent | 10 – 50 % |
| Application, place, room | one-person office, corridor / aisle, function room / ancillary room, kitchenette, stairwell, WC / washroom, Indoors | Basic light level function time | 1-30 min, all night |
| Installation site | wall | Basic light level function percentage, from | 10 % |
| Installation | Concealed wiring | Basic light level function percentage, up to | 50 % |
| HF-system | 5,8 GHz | With remote control | No |
| Electronic scalability | Yes | Interconnection | Yes |
| Mechanical scalability | No | IP-rating | IP20 |
| Mounting height | 1,20 – 2,20 m | Material | Plastic |
| Optimum mounting height | 1,2 m | Ambient temperature | 0 – 40 °C |
| Detection | also through glass, wood and stud walls | Colour | white |
| Detection angle | 180 ° | Colour, RAL | 9010 |
| Angle of aperture | 140 ° | Manufacturer's Warranty | 5 years |
| Sneak-by guard | Yes | Version | Dali - white |
| Reach, radial | r = 8 m (101 m ²) | PU1, EAN | 4007841032937 |
| Twilight setting TEACH | Yes | | |

Accessories

| | |
|--------------------|--------------------------------|
| EAN 4007841 034160 | Adapter surround for IR/HF 180 |
| EAN 4007841 034184 | Adapter surround for IR/HF 180 |
| EAN 4007841 034139 | Adapter surround for IR/HF 180 |
| EAN 4007841 592806 | User remote control RC5 |
| EAN 4007841 559410 | Service remote control RC8 |

Presence Switch

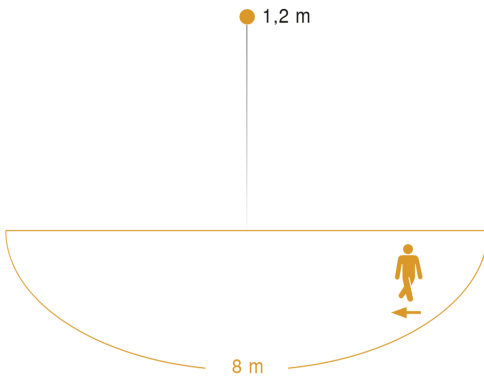
HF 180

Dali - white

EAN 4007841 032937

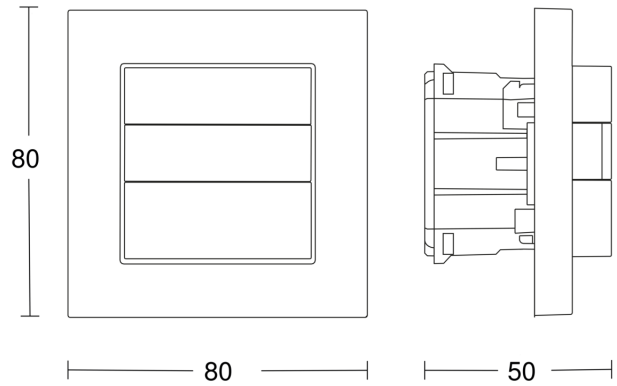


Detection Zone

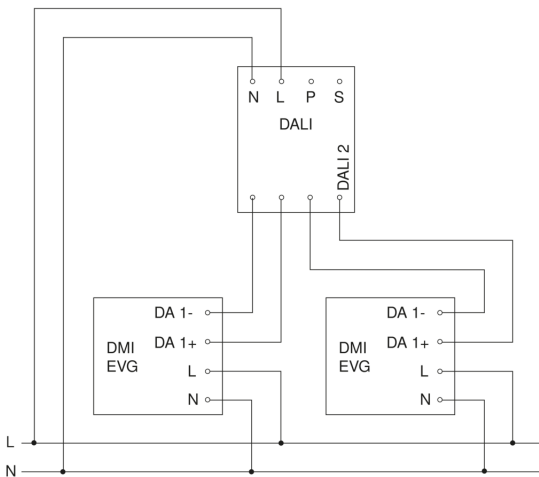


Mögliche Montagehöhe: 1,20 m – 2,20 m
Orange: tangential

Dimension Drawing



Master circuit diagram



Master/slave interconnection circuit diagram

